



DAMEN MULTI CAT® 1205

"YN 516015-17-18-19"

GENERAL

YARD NUMBER	516015-17-18-19
BASIC FUNCTIONS	General purpose workboat, anchor handling
CLASSIFICATION	Bureau Veritas I ✕ HULL • MACH Special Service/Workboat Sheltered Area

DIMENSIONS

LENGTH O.A.	12.52 m
BEAM O.A.	4.96 m
DEPTH AT SIDES	1.80 m
DRAUGHT AFT	1.55 m

TANK CAPACITIES

FUEL OIL	6.1 m ³
----------	--------------------

PERFORMANCES

BOLLARD PULL AHEAD	3.5 ton
SPEED	7.5 knots

PROPULSION SYSTEM

MAIN ENGINES	2x Volvo D5A TA
TOTAL POWER	204 bkW (274 bhp) at 2300 rpm
GEARBOXES	Twin Disc MG 5050 SC (Red. 3:1)
PROPELLERS	Two bronze fixed pitch propellers, 770 mm diameter, make Promarin
NOZZLES	Two Optima 770 mm Van de Giessen
ENGINE/GEARBOX CONTROLS	Kobelt, cable type
STEERING GEAR	Powered hydraulic 2x 45°, rudder indicator

AUXILIARY EQUIPMENT

BILGE PUMP	SIHI VW20 24 m ³ /hr at 10 m.w.g.
BATTERY SET	2x 24 V 200 Ah each

DECK LAY-OUT

ANCHOR	48 kg Pool (High Holding Power)
CHAIN	10 m short link, 13 mm U2/Q2 (Class)
DECK CRANE	HLM 10-2S 1.0 ton at 8.4 m
DECK WINCH	Kraaijeveld, pull 7.5 ton at 5 m/min.
TOWING BITT	Single pole on aft deck
BOW ROLLER	SWL 17 ton
Ø TOWING HOOK	Disc type

ACCOMMODATION

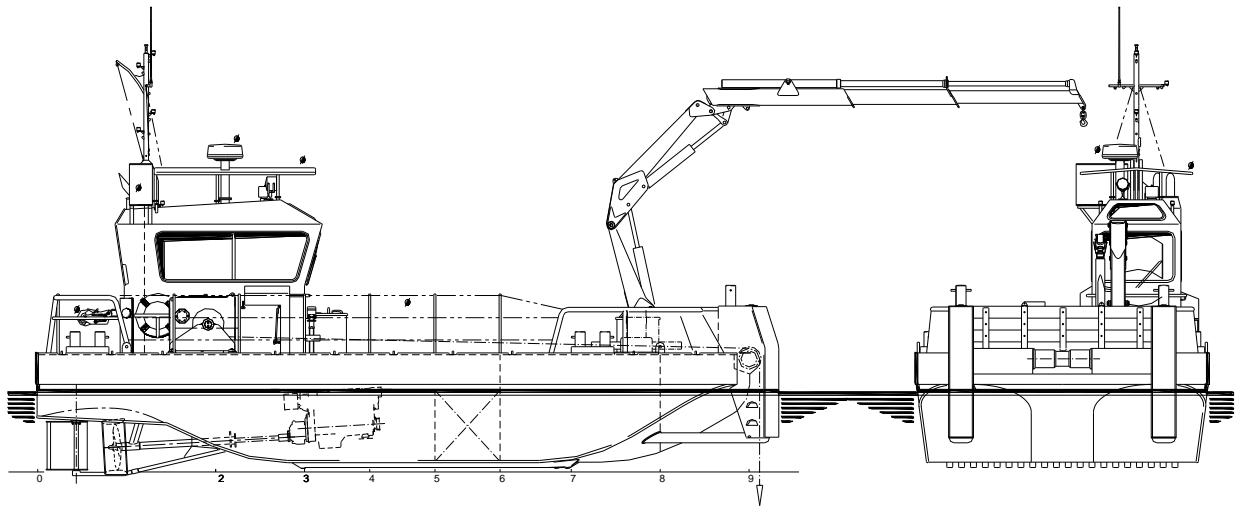
Wheelhouse with dashboard and settee.
Below deck a store is arranged.

NAUTICAL AND COMMUNICATION EQUIPMENT

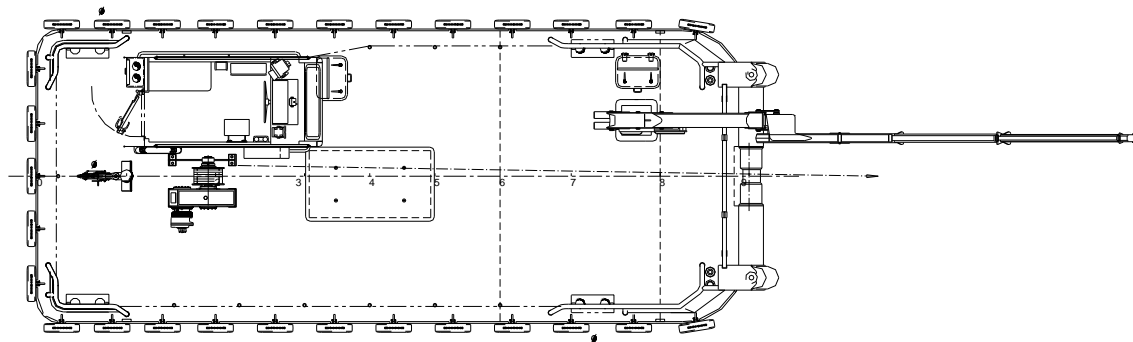
SEARCHLIGHT	Den Haan 170 W 24 V
HORN	Ongaro
Ø RADAR SYSTEM	Furuno 1835
GPS NAVIGATOR	Furuno GP-32
Ø COMPASS	Iris Hand held
Ø ECHOSOUNDER	Furuno LS-6100
VHF	Sailor 6248

COMPLETE VESSEL ON STOCK

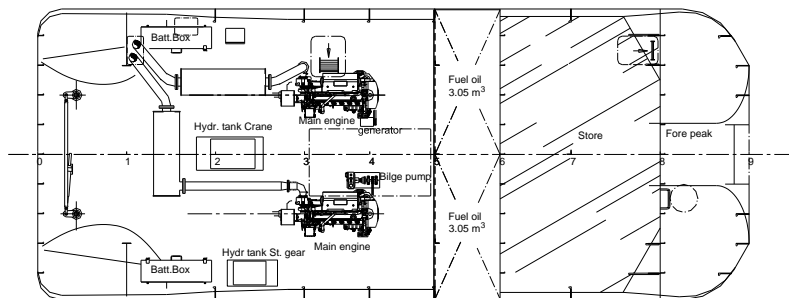
* PHOTOGRAPH SHOWS SIMILAR VESSEL / Ø = OPTIONAL EQUIPMENT



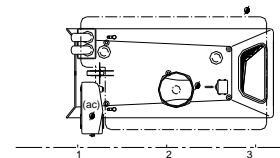
Maindeck



Below Maindeck



Topdeck



DAMEN MULTI CAT[®] 1205

"YN 516015-17-18-19"

DAMEN

DAMEN SHIPYARDS GORINCHEM

Member of the DAMEN SHIPYARDS GROUP



Industrieterrein Avelingen West 20
4202 MS Gorinchem

P.O. Box 1
4200 AA Gorinchem
The Netherlands

phone +31 (0)183 63 99 11
fax +31 (0)183 63 21 89

info@damen.com
www.damen.com