



DAMEN SEARCH AND RESCUE 1906

KNRM NH 1816

GENERAL

YARDNUMBER	535501
OWNER	KNRM
DATE OF DELIVERY	2013
HULL MATERIAL	Aluminium
SUPERSTRUCTURE	FRP Composite
BASIC FUNCTIONS	Search and Rescue
DESIGN	KNRM/De Vries Lentsch/DAMEN
CLASSIFICATION	Lloyds Register * 100 A1, SSC, Patrol, HSC, G3 [*] LMC Self-righting

DIMENSIONS

LENGTH O.A.	19.30 m
BEAM O.A.	6.54 m
DEPTH AT SIDES	1.90 m
DRAUGHT MAX	1.10 m

CAPACITIES

FUEL OIL	4.90 m ³
CREW	6
SURVIVORS	120
STRETCHER TRANSPORT	2
RANGE	348 nm

SPECIAL FEATURES

STABILITY	Self-righting
DAMAGE STABILITY	2 compartment 50% bottom damage 2 separated engine rooms

PERFORMANCES

SPEED (TRIAL)	31 knots
MAX. BOLLARD PULL	7 tons

PROPULSION SYSTEM

MAIN ENGINES	2x MTU 8V2000 M84L
TOTAL POWER	1790 kW (2400 bhp) at 2450 rpm
GEARBOXES	2x ZF 2000
PROPULSION	2x Hamilton 570

ELECTRICAL EQUIPMENT

NETWORK	230/50 Hz, 24V/DC
GENERATOR CAPACITY	2x 8 kW main engine powered

DECK LAY-OUT

ANCHOR EQUIPMENT	1x Fortress FX125, 10m chain, 70m line
TOWING LINES	1x220m, 1x110 32mm Tipto Twelve R-2
SALVAGE PUMPS	2x 60 m ³ /h Hatz pump
FENDER	D-shaped 900x450mm foam filled, polyurea skin

LIFE SAVING EQUIPMENT

RESCUE PLATFORM	3.50 m at the stern, hydraulic driven
SALVAGE PUMPS	2x 60 m ³ /h Hatz pump
LIFE RAFT	1x 6 persons
FIRE EXTINGUISHERS	6, CO2 and AFFF types

AUXILIARY EQUIPMENT

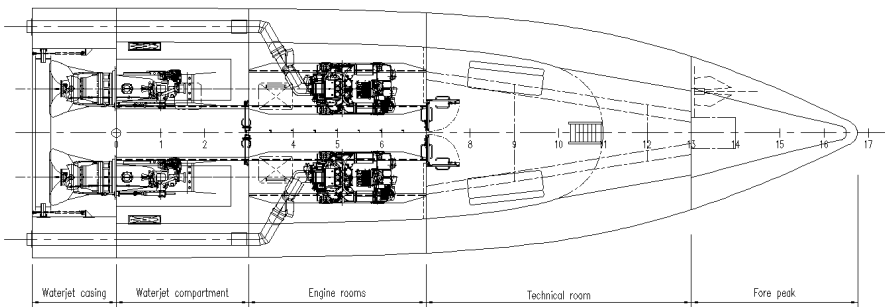
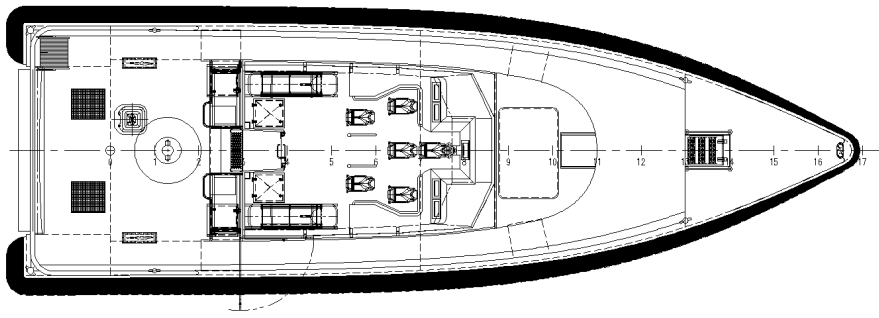
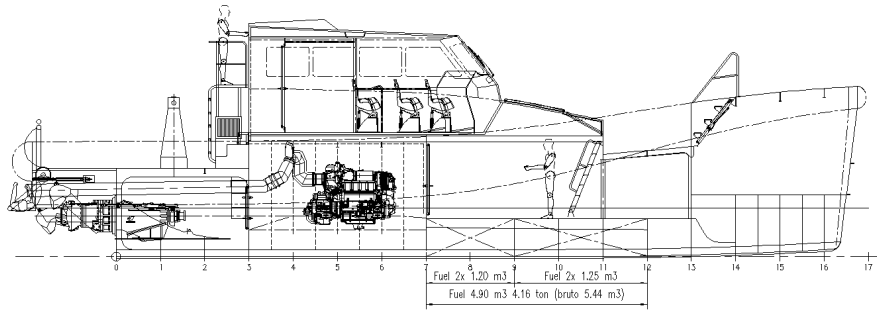
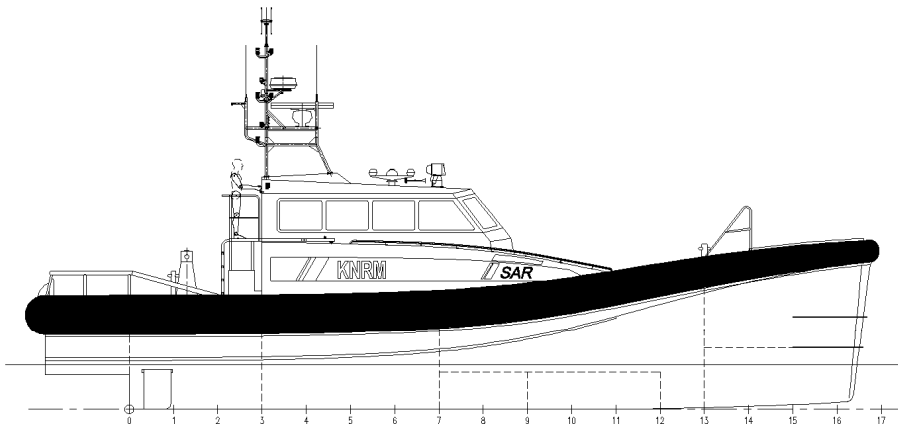
ENGINE ROOM AIR INTAKE	Munters single stage, open during roll-over
BILGE PUMPS	Johnson 4000L 24V submersibles
FUEL SYSTEM	2 Separate systems, roll-over proof
COOLING SYSTEM	2 water intakes with cross over connection
AC SYSTEM	MAR-IX A10 chiller, MAR-IX FC3LP fancoil unit
EXHAUST SYSTEM	Duplex steel, with valve and water injection

ACCOMODATION

BELOW MAIN DECK	Technical room with extra bunks and toilet
WHEELHOUSE	6x Ullman Biscaya jockey seats
DASHBOARD	Watertight secured space

NAUTICAL, SURVEILLANCE AND COMMUNICATION EQUIPMENT

SEARCHLIGHTS	Colorlight 2x250W, Sanshin 100W
INTERNAL COMMUNICATION	Savox Trulink wireless headsets
BRIDGE SYTEM	5x multifunction display
INTEGRATED FUCTIONS	Transas MFD series ECDIS
	2x Gemrad radar scanner
	KVH Gyrotrac satellite compass
	Simrad MX575 DB D/GPS
	Furuno GP-150-DIFF GPS
	Furuno M-3 U-AIS FA-150 AIS
	Rho Theta RT-300 VHF direction finder
	2x Airmar P79 echo sounder
	CCTVcam system
	2x Sailor 6222 class A VHF
	Nasa Navtex receiver
	Icom ICM 110 Aviation transceiver



DAMEN SEARCH AND RESCUE 1906

KNRM NH 1816



DAMEN SHIPYARDS GORINCHEM

Member of the DAMEN SHIPYARDS GROUP



Industrieterrein Avelingen West 20
 4202 MS Gorinchem

P.O. Box 1
 4200 AA Gorinchem
 The Netherlands

phone +31 (0)183 63 99 11
 fax +31 (0)183 63 21 89

info@damen.nl
 www.damen.nl